

# LEDstix® Lighting System For Display Cases



The SYLVANIA LEDstix Lighting System offers a unique LED lighting solution featuring performance optimized for display case or under cabinet lighting applications. This system is an energy saving, environmentally preferable retrofit for fluorescent systems. The LEDstix Lighting System is available in eight different lengths with fixed and flexible interconnects allowing a perfect fit in any size or shape display case. With three light output options, retailers can customize the look and feel of their display case while saving energy. When paired with SYLVANIA OPTOTRONIC® 24Vdc power supplies, this LED system offers high quality light for many years in new, or retrofit display case applications.

## Key Features & Benefits

- OSRAM LEDs provide significant sparkle over fluorescent systems
- Narrow beam angle highlights merchandise while minimizing spill light
- Unique reflector system eliminates glare
- Fine ANSI binned LEDs ensure consistent CCT (<3 SDCM)
- 6" length increments for custom lighting solutions in a variety of display cases
- Available in low, medium and high light output versions for optimal light levels in any case volume
- Long life: up to 50,000 hours (L<sub>70</sub>) when temperature at T<sub>c</sub> point is maintained ≤ 90°C.
- Self locking 75° angular rotation feature for precise aiming
- Fixed and flexible connectors for seamless runs and continuity around corners
- Reverse polarity protection simplifies installation



## Application Information

### Applications

- Cabinet
- Jewelry display case
- Showcase lighting
- Under cabinet lighting
- Under shelf lighting

### Specifications and Certifications



This light source meets restrictions on hazardous substances.



The LEDstix Lighting System is UL2108 Listed for US and Canada Class 2 Unit. (UL file # E247649)



## Specification Data

Catalog #	Type
Project	
Comments	
Prepared by	Date

## Ordering Information

Item Number	Ordering Abbreviation	Nominal Length	No. of LEDs	Power (W)	Lumens	CCT	Beam Angle	CRI	Case Qty
70957	LSX/DSP/L/24V/840/7	7"	6	3	180	4000K	80°	>80	5
70965	LSX/DSP/M/24V/840/7	7"	6	4.5	230	4000K	80°	>80	5
70792	LSX/DSP/24V/840/7	7"	6	6	290	4000K	80°	>80	5
70958	LSX/DSP/L/24V/840/12	12"	12	6	360	4000K	80°	>80	5
70966	LSX/DSP/M/24V/840/12	12"	12	9	470	4000K	80°	>80	5
70624	LSX/DSP/24V/840/12	12"	12	12	580	4000K	80°	>80	5
70959	LSX/DSP/L/24V/840/18	18"	18	9	550	4000K	80°	>80	5
70967	LSX/DSP/M/24V/840/18	18"	18	13.5	710	4000K	80°	>80	5
70625	LSX/DSP/24V/840/18	18"	18	18	870	4000K	80°	>80	5
70960	LSX/DSP/L/24V/840/24	24"	24	12	730	4000K	80°	>80	5
70968	LSX/DSP/M/24V/840/24	24"	24	18	950	4000K	80°	>80	5
70626	LSX/DSP/24V/840/24	24"	24	24	1160	4000K	80°	>80	5
70961	LSX/DSP/L/24V/840/30	30"	30	15	920	4000K	80°	>80	5
70969	LSX/DSP/M/24V/840/30	30"	30	22.5	1190	4000K	80°	>80	5
70627	LSX/DSP/24V/840/30	30"	30	30	1450	4000K	80°	>80	5
70962	LSX/DSP/L/24V/840/36	36"	36	18	1090	4000K	80°	>80	5
70970	LSX/DSP/M/24V/840/36	36"	36	27	1430	4000K	80°	>80	5
70628	LSX/DSP/24V/840/36	36"	36	36	1730	4000K	80°	>80	5
70963	LSX/DSP/L/24V/840/42	42"	42	21	1270	4000K	80°	>80	5
70971	LSX/DSP/M/24V/840/42	42"	42	31.5	1660	4000K	80°	>80	5
70629	LSX/DSP/24V/840/42	42"	42	42	2000	4000K	80°	>80	5
70964	LSX/DSP/L/24V/840/48	48"	48	24	1450	4000K	80°	>80	5
70972	LSX/DSP/M/24V/840/48	48"	48	36	1900	4000K	80°	>80	5
70630	LSX/DSP/24V/840/48	48"	48	48	2280	4000K	80°	>80	5

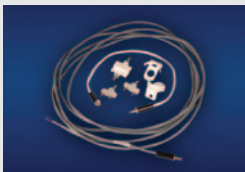
### Notes:

- All data is related to the entire LEDstixx® Lighting System. Data reflects statistical mean values. Actual data may differ depending on variances in the manufacturing process.
- CCT tolerance: 3985 ± 275K

## Ordering Guide

LSX	/	DSP	/	L	/	24V	/	8	/	40	/	48
LEDstixx		Display		L = Low M = Med Blank = High		Voltage		CRI > 80		Color Temperature 4000K		Length (inches)

## Accessories



Item Number	Ordering Abbreviation	Description	Order Qty
70632	LSX/DSP/LBRKT	"L" Mounting Bracket	5
70558	LSX/DSP/IC/10FT	10 ft Input Connector	5
70559	LSX/DSP/FLEXINT/6IN	6 inch Flexible Interconnect	5
70561	LSX/DSP/FLEXINT/12IN	12 inch Flexible Interconnect	5
70562	LSX/DSP/SOLIDINT	Solid Interconnect	5

# 70632 (Lbrkt) Removable angled mounting bracket latches into the LEDstixx assembly end fittings. When depressed the spring latching mechanism affords easy removal of the LEDstixx assembly. Requires 2 per assembly.

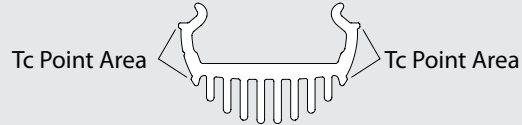
## Minimum and Maximum Ratings

Parameter	Values
Protection Rating	For indoor (dry location) use only
Storage Temperature Range	-30 to +75°C (-22 to +167°F)
Voltage Range	23 – 25 Vdc
Reverse Voltage	25 Vdc
Maximum Tc Point Temperature	90°C*

\* Temperature to maintain 50,000 hrs.

### Notes:

- Exceeding maximum ratings may damage the unit and cause potential safety hazards.
- Elevated operating temperatures negatively impact the service life and lumen output.
- Incorrect wiring may damage the unit.
- Not intended for use with constant current power supplies.
- Reference the diagram at right for Tc point location. For clarity, heat sink is shown independent of other components.



## Power Supply Information

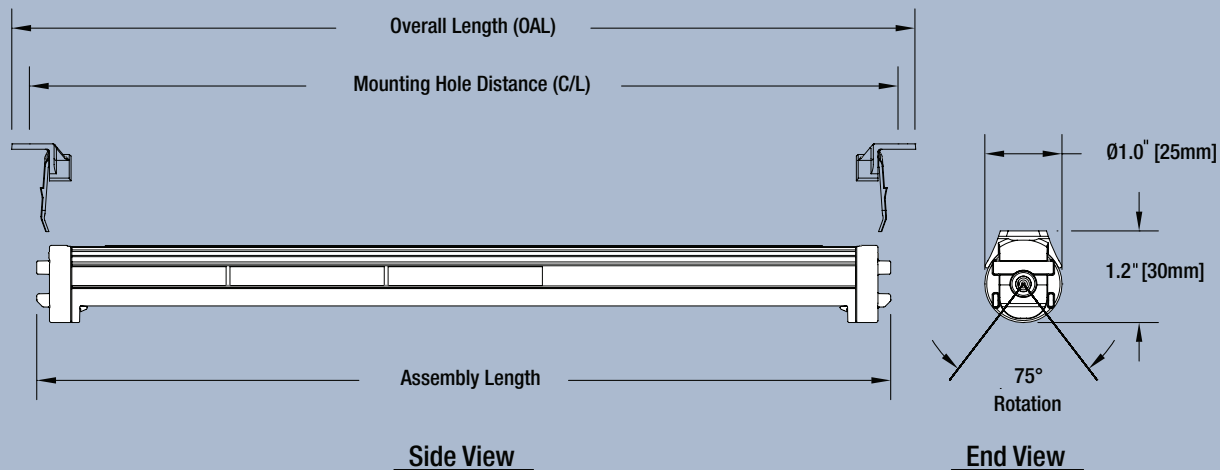
Item Number	Ordering Abreviation	Maximum lineal feet per power supply		
		Low	Medium	High
51626	OT96W/24V/UNV	16'-0 "	10'-6 "	8'-0 "
51627	OT240W/3x240V/120-240V/JBX	13'-0 "	8'-6 "	6'-6 "
51514	OT75/120-277/24E*	12'-6 "	8'-0 "	6'-0 "
51598	OT50/120/24LP*	8'-0 "	5'-6 "	4'-0 "

### Notes:

- SYLVANIA OPTOTRONIC power supplies are optimally paired with SYLVANIA LED solutions and are designed with protection features for safe operation.
- 5 year System Warranty applies to the combination of the LEDstix® paired with the appropriate OPTOTRONIC power supply.
- The module is designed to work with Constant Voltage power supplies only. Reference the Power Supply PIB # ECS050 for product specific information.
- These values are an approximation based on the typical "Power" values listed under the "Ordering Information" parameters. To accurately determine the maximum LED load, evaluate the application based on the application note "Determining the Maximum LED Load on a Constant Voltage Power Supply" LED026. This document can be found at [www.sylvania.com](http://www.sylvania.com).
- "System Wattage" values are stated as being typical. Actual values may vary slightly between power supplies.

\* To meet the product's UL Listing requirements, the OT96, or OT240 power supplies must be used. All power supplies listed in the chart above are satisfactory for UL submission under the case manufacturer's UL Case Listing.

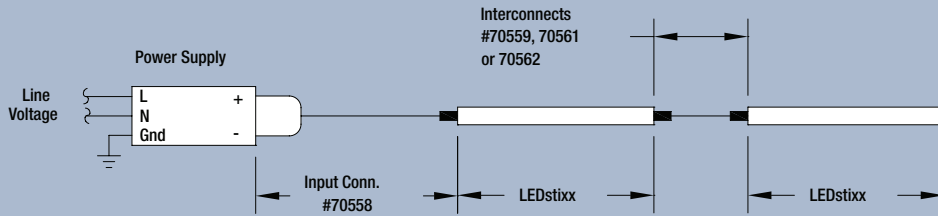
## Mechanical Dimensions



LED Assembly	7"	12"	18"	24"	30"	36"	42"	48"
Assembly Length	6.33"	11.07"	17.07"	23.07"	29.07"	35.07"	41.07"	47.07"
Mounting Hole Center Line (C/L) Distance	6.66"	11.40"	17.40"	23.40"	29.40"	35.40"	41.40"	47.40"
Overall Length	6.98"	11.72"	17.72"	23.72"	29.72"	35.72"	41.72"	47.72"

For demonstration purposes, "Side View" is shown with L-BRKTS removed. "End View" is shown with L-BRKTS installed.

## Wiring Diagram



Power supply location is purely diagrammatic. Actual location must be determined based on the selected power supply, case type and store environment.

Reference the "Power Supply Information" section chart for maximum LED load per power supply requirements.

## Safety Information

**WARNING: ONLY QUALIFIED PERSONNEL SHOULD PERFORM INSTALLATION.  
TO AVOID ELECTRICAL SHOCK OR COMPONENT DAMAGE, DISCONNECT POWER BEFORE ATTEMPTING INSTALLATION OF THE POWER SUPPLIES AND/OR MODULES.**

Failure to install the power supplies and/or LED modules in accordance with the National Electric Code (NEC), all applicable Federal, State and local electric codes as well as the specific Underwriters Laboratories (UL) safety standards for the installation, location and application may cause serious personal injury, death, property damage and/or product malfunction.

1. The LED Lighting System itself and all its components shall not be subjected to mechanical stress.
2. Installation of LED Lighting Systems shall be made with regard to all applicable electrical and safety standards. Only qualified personnel should be allowed to perform installations.
3. Ensure the power supply is of adequate power to operate the total load.
4. Electrostatic Discharge (ESD) precautions shall be incorporated when handling or installing the LED Lighting System. (For more information, reference document # LED093 ESD Protection for LED Systems.)
5. Damage by corrosion will not be honored as a materials defect claim. It is the user's responsibility to ensure adequate protection against corrosive agents such as moisture, condensation and other harmful elements.
6. Lighting Systems may be hot to the touch. Use caution when handling.

## Assembly Information

1. Product shall not be installed inside the case when shipping to a store location. It must be removed and shipped separately.
2. The product's UL Listing qualifies for case/cabinet installations only.
3. Reference Installation Instructions Manual # LED155 for detailed assembly information.

SYLVANIA is a registered trademark of OSRAM SYLVANIA Inc.  
SEE THE WORLD IN A NEW LIGHT is a registered trademark of OSRAM SYLVANIA Inc.  
OPTOTRONIC and LEDstix are registered trademarks of OSRAM GmbH.  
Specifications subject to change without notice.

## Warranty

The LEDstix® Lighting System for Display Cases is covered by a 5 year warranty when used in conjunction with approved OPTOTRONIC® power supplies.

For additional information or to download the warranty registration form, refer to the latest version of the warranty available in the literature section of [www.sylvania.com](http://www.sylvania.com).

## Sample Specification

Fixture(s) shall be LEDstix Lighting System for Display (LSX/DSP/X/24V/840/X).  
Fixture(s) shall have a rated life of 50,000 hours ( $L_{70}$ ) when operated on OPTOTRONIC 24Vdc power supplies, a correlated color temperature of (4000K) and a CRI of (>80).

**United States**  
**OSRAM SYLVANIA**  
100 Endicott Street  
Danvers, MA 01923

### Trade

Phone: 1-800-255-5042  
Fax: 1-800-255-5043

### National Accounts

Phone: 1-800-562-4671  
Fax: 1-800-562-4674

### OEM/Special Markets

Phone: 1-800-762-7191  
Fax: 1-800-762-7192

### Display/Optic

Phone: 1-888-677-2627  
Fax: 1-800-762-7192

### SYLVANIA Lighting Services

Phone: 1-800-323-0572  
Fax: 1-800-537-0784

### Canada

**OSRAM SYLVANIA LTD.**  
2001 Drew Road  
Mississauga, ON L5S 1S4

### Trade

Phone: 1-800-263-2852  
Fax: 1-800-667-6772

### OEM/Special Markets/Display/Optic

Phone: 1-800-265-2852  
Fax: 1-800-667-6772

### SYLVANIA Lighting Services

Phone: 1-800-663-4268  
Fax: 1-866-239-1278

### Mexico

**OSRAM MEXICO**  
Headquarters  
Tultitlan/Edo de Mexico  
011-52-55-58-99-18-50

[www.sylvania.com](http://www.sylvania.com)