

ULTRA RT4 LED Recessed Downlight Kit



Key Features & Benefits

- Lumen package: – 550 lumens @ 9 watts
- Replacement for 50W R20 incandescent lamps
- Fits into most 4" recessed downlight fixtures
- CCT: 2700K/3000K
- CRI of 82
- Dimmable 20-100%
- 35,000 hour life (L₇₀)
- Suitable for indoor and damp locations
- Reduces energy consumption up to 82% savings
- 120V input voltage
- Lasts 14-17 times longer than incandescent and halogen lamps
- No warm-up time, instant-on with full light output and stable lamp to lamp color
- Meets California Title 24 fixture requirements for high efficacy luminaire
- Integrated trim and medium base socket adaptor (included) for direct replacement

The SYLVANIA ULTRA RT4 unit is a four-inch LED recessed downlight kit creating high performing white light which is optimized for new construction and retrofit applications. Installation is done quickly and easily in most standard four-inch Insulated Ceiling (IC), Airtight (AT) and non-IC housings.

The SYLVANIA ULTRA RT Series recessed downlight kits are dimmable to 20% with standard 120V electronic low voltage dimmers (recommended), incandescent or magnetic low voltage dimmers. In some cases, standard incandescent dimmers require a minimum load of typically >40 watts on the circuit for full range dimming performance (four fixtures). For dimming with digital (smart) multi-location dimmers or when dimming fewer than four LED kits, Electronic Low Voltage (ELV) dimmers are required (some ELV dimmers need a neutral connection in the wallbox).

The SYLVANIA ULTRA RT Series provides good color rendering (82 CRI), and a selection of color temperatures (2700K, 3000K). LEDs radiate virtually no UV or heat to damage or fade furnishings, art or other objects.

Engineered optics efficiently direct light output in an 80 degree beam with low glare.

Product Offering

Ordering Abbreviation	Wattage	Color Temperature
LED/RT4/550/827/FL80/WTR/WRFL	9	2700K
LED/RT4/550/830/FL80/WTR/WRFL	9	3000K

Application Information

Applications

- Healthcare
- Hospitality
- Office
- Property management
- Residential
- Retail

Specifications and Certifications



This light source meets restrictions on hazardous substances.



Specification Data

Catalog #	Type
Project	
Comments	
Prepared by	Date

Specifications

Energy Data

Minimum Starting Temp: 0°C (32°F)

Sound Rating: <24dBA

Input Voltage: 120V

Power Factor: 0.83

Input Frequency: 60Hz

THD: >20%

Input Power: 9W

Input Current: 0.1A

Maximum Ambient Operating Temperature (Insulated Ceiling): 30°C (86°F)

Maximum Ambient Operating Temperature (Non-Insulated Ceiling): 30°C (86°F)

Lighting Data

Lumen Output: 550

Lumens per Watt: 61

Color

Correlated Color Temperature (CCT): 2700K-3000K

Color Rendering Index (CRI): 82

Ordering Information

Item Number	Ordering Abbreviation	Recessed Housing	Nominal Wattage (W)	Delivered Light Output (lm)	Color Temperature	CRI	Average Rated Life (hrs.)	Packaging Configuration
70688	LED/RT4/550/827/FL80/WTR/WRFL	4in.	9	550	2700K	82	35,000	Box
70659	LED/RT4/550/830/FL80/WTR/WRFL	4in.	9	550	3000K	82	35,000	Box

Ordering Guide

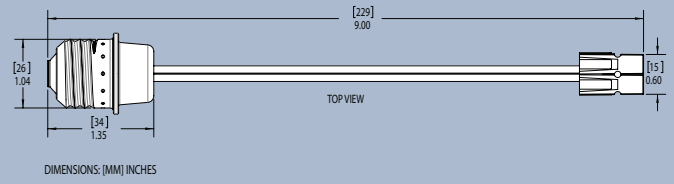
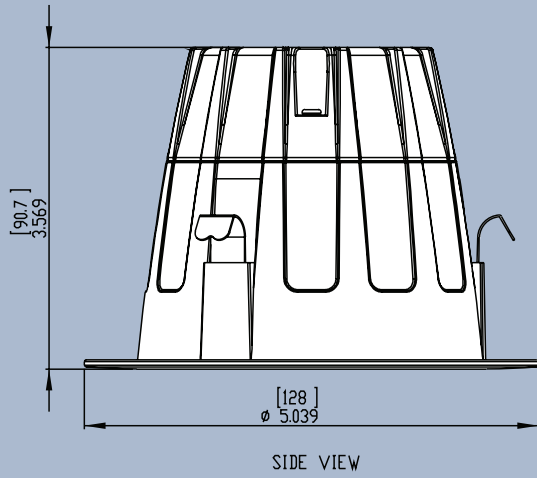
LED	RT4	550	8	27	FL	80	WTR	WRFL
LED	Product Name RT4; 4=fits 4" diameter recessed downlights	Light Output (lm)	CRI=82	Color Temperature 2700K	Flood	Beam Angle degrees	White Trim	White Reflector

Energy Savings

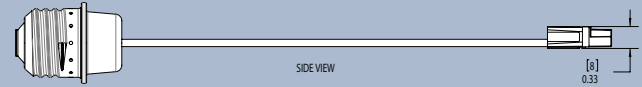
Basic Product Description	LED Lumens	LED Life	Similar Lamp Type	Lumens	Life	Watts Saved With RT4	RT4 Life Benefit	Energy Savings
RT4	550	35,000	Incandescent 50R20	410	2000	41	17x	\$152
			Halogen 50PAR20/WFL	550	2500	41	14x	\$152
			Compact Fluorescent 14R20	495	8000	5	4x	\$14

* Based on \$0.11/kWh over 35,000 hrs. life

Assembly Diagram



DIMENSIONS: (MM) INCHES

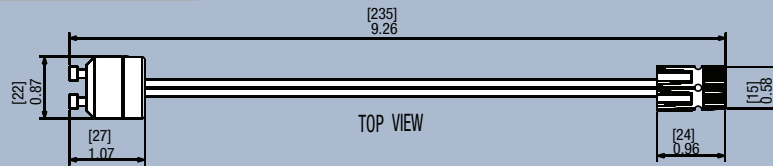


DIMENSIONS: (MM) INCHES

Accessories

GU10 Socket Adaptor

70689 LED/RT4/GU10/SOCKET/ADAPTOR (sold separately)



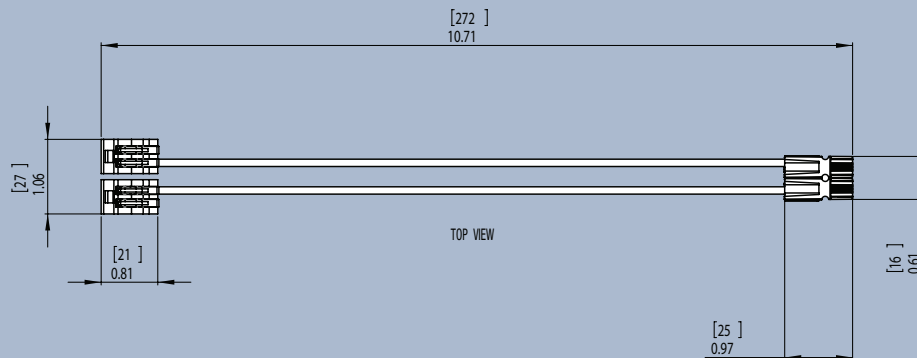
TOP VIEW



SIDE VIEW

Retrofit Adaptor

70657 LED/CRT6/RETROFIT/ADAPTOR (sold separately)



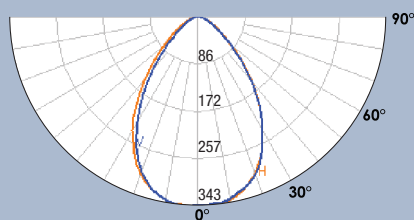
TOP VIEW

[25]
0.97

[16]
0.61

Photometric Data

Polar Chart



Zonal Lumen Distribution

Zone	Lumens	% Fixture
0-30	237.77	46.50
0-40	348.89	68.20
0-60	474.56	92.80
60-90	37.00	7.20
0-90	511.56	100.00
90-180	0.00	0.00
0-180	511.56	100.00

Illuminance at Distance

	Illuminance (fc)		Beam Diameter	
	Center	Edge	V	H
2 ft	85.8 fc	22.5 fc	2.9 ft	2.9 ft
4 ft	21.4 fc	5.6 fc	5.9 ft	5.9 ft
6 ft	9.5 fc	2.5 fc	8.8 ft	8.8 ft
8 ft	5.4 fc	1.4 fc	11.7 ft	11.8 ft
10 ft	3.4 fc	0.9 fc	14.7 ft	14.7 ft
12 ft	2.4 fc	0.6 fc	17.6 ft	17.7 ft

Vert. Spread: 72.5°

Horiz. Spread: 72.8°

Application Notes

1. Operating temperature range between 32°F and +86°F (0°C and +30°C).
2. Suitable for use in indoor and damp location environments.
3. Suitable for dimmers or in housings controlled by a dimmer – see www.sylvania.com/RT4 for detailed dimmer compatibility list.
4. Not intended for use with emergency light fixtures or exit lights.
5. For use in housings that can structurally support a lamp weighing one pound.
6. Designed to install in standard 4" insulated and non-insulated housings. For a list of compatible housings, please refer to www.sylvania.com/RT4.
7. For detailed warranty information, please see www.sylvania.com/RT4.

SYLVANIA

lighting facts[®]

A Program of the U.S. DOE

Light Output (Lumens) 550

Watts 9

Lumens per Watt (Efficacy) 61

Color Accuracy 82

Color Rendering Index (CRI)

Light Color 2700 (Warm White)

Correlated Color Temperature (CCT)

2700K 3000K 4500K 6500K

All results are according to IESNA LM-79-2008: Approved Method for the Electrical and Photometric Testing of Solid-State Lighting. The U.S. Department of Energy (DOE) verifies product test data and results.

Visit www.lightingfacts.com for the Label Reference Guide.

Registration Number: SBZT-CRA3XG
Model Number: LED/RT4/S50/SBZTFLB01WTR/NWFL
Type: Recessed downlight

SYLVANIA

lighting facts[®]

A Program of the U.S. DOE

Light Output (Lumens) 550

Watts 9

Lumens per Watt (Efficacy) 61

Color Accuracy 82

Color Rendering Index (CRI)

Light Color 3000 (Bright White)

Correlated Color Temperature (CCT)

2700K 3000K 4500K 6500K

All results are according to IESNA LM-79-2008: Approved Method for the Electrical and Photometric Testing of Solid-State Lighting. The U.S. Department of Energy (DOE) verifies product test data and results.

Visit www.lightingfacts.com for the Label Reference Guide.

Registration Number: SBZT-GBAGDN
Model Number: LED/RT4/S50/SBZTFLB01WTR/NWFL-BOX
Type: Recessed downlight

United States

OSRAM SYLVANIA

100 Endicott Street
Danvers, MA 01923

Trade

Phone: 1-800-255-5042
Fax: 1-800-255-5043

National Accounts

Phone: 1-800-562-4671
Fax: 1-800-562-4674

OEM/Special Markets

Phone: 1-800-762-7191
Fax: 1-800-762-7192

Display/Optic

Phone: 1-888-677-2627
Fax: 1-800-762-7192

SYLVANIA Lighting Services

Phone: 1-800-323-0572
Fax: 1-800-537-0784

Canada

OSRAM SYLVANIA LTD.

2001 Drew Road
Mississauga, ON L5S 1S4

Trade

Phone: 1-800-263-2852
Fax: 1-800-667-6772

OEM/Special Markets/Display/Optic

Phone: 1-800-265-2852
Fax: 1-800-667-6772

SYLVANIA Lighting Services

Phone: 1-800-663-4268
Fax: 1-866-239-1278

Mexico

OSRAM MEXICO

Headquarters
Tultitlan/Edo de Mexico
011-52-55-58-99-18-50

www.sylvania.com

SYLVANIA is a registered trademark of OSRAM SYLVANIA Inc.
SEE THE WORLD IN A NEW LIGHT is a registered trademark of OSRAM SYLVANIA Inc.
OPTOTRONIC is a registered trademark of OSRAM AG.
Specifications subject to change without notice.